

(19) World Intellectual Property Organization
International Bureau



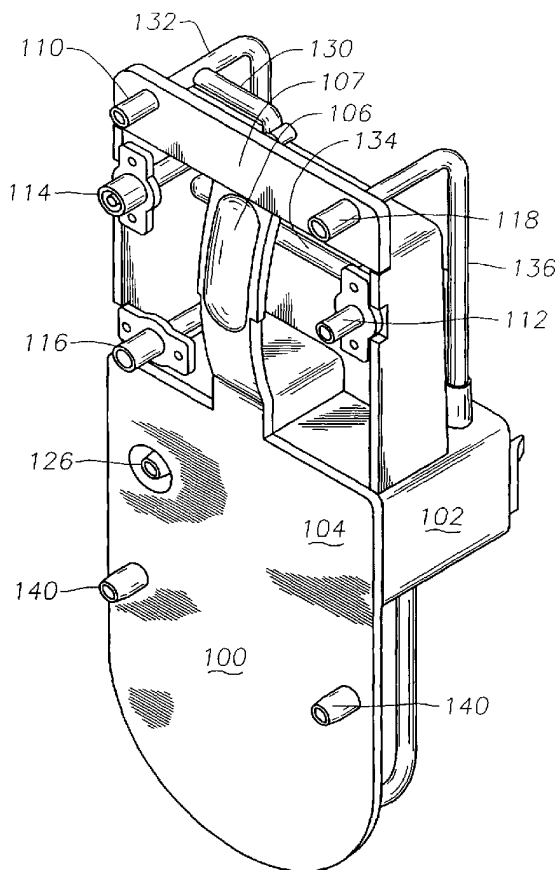
(43) International Publication Date
11 April 2002 (11.04.2002)

PCT

(10) International Publication Number
WO 02/28449 A2

- (51) International Patent Classification⁷: A61M 1/00 92677 (US). STEPPE, Dennis, L. [US/US]; 969 Palemo Lane, Corona, CA 92879-8525 (US).
- (21) International Application Number: PCT/US01/28029
- (22) International Filing Date: 6 September 2001 (06.09.2001) (74) Agents: LEE, W., David et al.; Alcon Research, Ltd., Mail Code: Q-148, 6201 South Freeway, Fort Worth, TX 76134 (US).
- (25) Filing Language: English (81) Designated States (national): AU, BR, CA, JP, MX, US.
- (26) Publication Language: English (84) Designated States (regional): European patent (AT, BE, CH, CY, DE, DK, ES, FI, FR, GB, GR, IE, IT, LU, MC, NL, PT, SE, TR).
- (30) Priority Data: 09/675,683 29 September 2000 (29.09.2000) US
- (71) Applicant (for all designated States except US): ALCON, INC. [CH/CH]; Bösch 69, CH-6331 Hünenberg (CH). Published: — without international search report and to be republished upon receipt of that report
- (72) Inventors; and
- (75) Inventors/Applicants (for US only): NAZARIFAR, Nader [US/US]; 28421 La Pradera, Laguna Niguel, CA
- For two-letter codes and other abbreviations, refer to the "Guidance Notes on Codes and Abbreviations" appearing at the beginning of each regular issue of the PCT Gazette.*

(54) Title: SURGICAL CASSETTE AND CONSUMABLES FOR COMBINED OPHTHALMIC SURGICAL PROCEDURE



(57) Abstract: A surgical cassette for use in a combined anterior segment and posterior segment ophthalmic surgical procedure is disclosed. The surgical cassette includes an irrigation inlet for receiving irrigation fluid from a source, a first irrigation outlet for providing irrigation fluid to a first ophthalmic microsurgical instrument, a first manifold fluidly coupling the irrigation inlet with the first irrigation outlet, a second irrigation outlet for providing irrigation fluid to a second ophthalmic microsurgical instrument, and a second manifold fluidly coupling the irrigation inlet with the second irrigation outlet. The surgical cassette greatly simplifies the combined procedure by eliminating the need for separate anterior segment and posterior segment cassettes for the combined procedure.



WO 02/28449 A2